



77mm スピーカ  
3inch Speaker

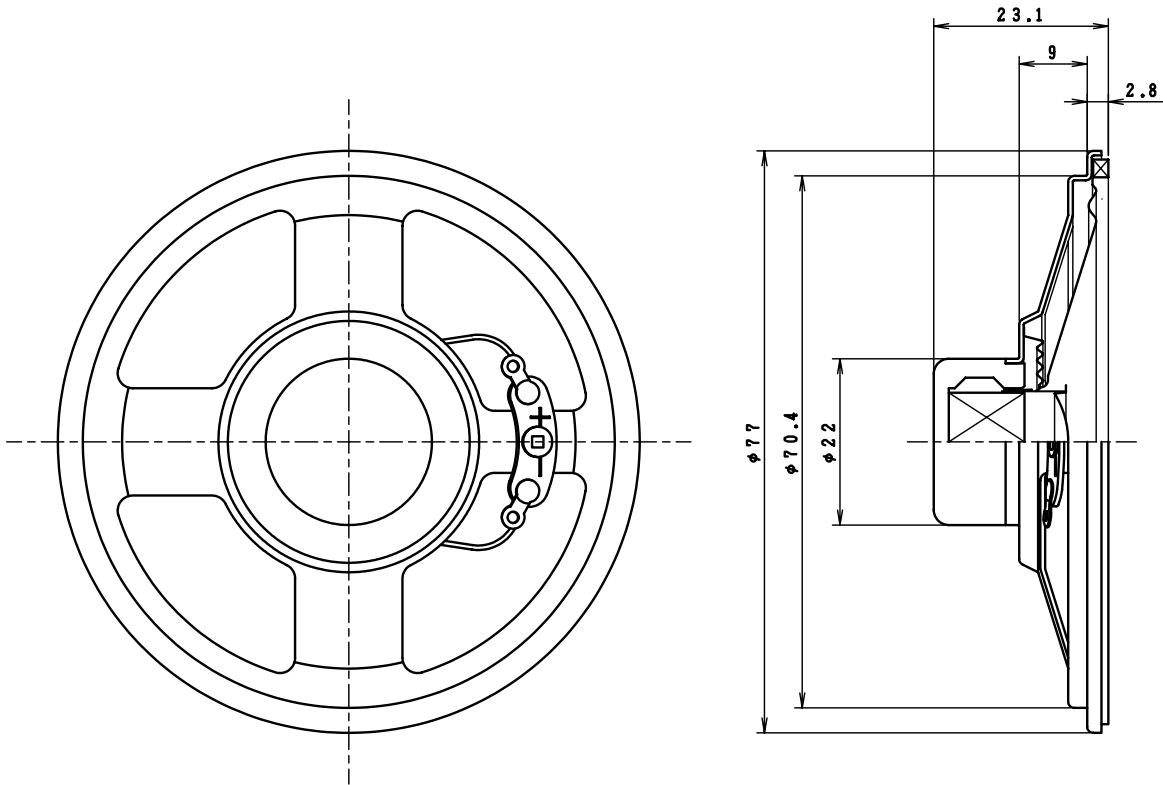
Model No.

T77C01-9

26 June 2003

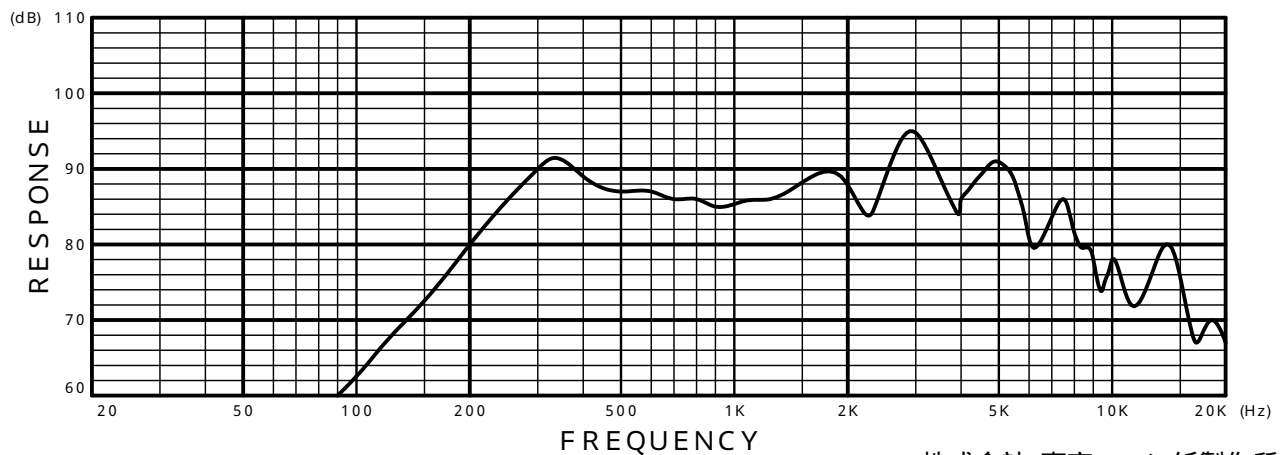
ゼネラルタイプ

General Type



Specifications

Nominal Impedance	-----	8
Nominal Power	-----	2W
Maximum Power	-----	3W
Resonance Frequency	-----	350 Hz
Effective Frequency Range	-----	F <sub>o</sub> ~ 5,000 Hz
Sound Pressure Level	-----	86 dB W/m
Magnet Size	-----	13 × t 10 mm
Magnet Weight	-----	9.66 g (0.34 oz.)
Net Weight	-----	4.8 g (1.7 oz.)



株式会社 東京コーン紙製作所  
TOKYO CONE PAPER MFG.CO.,LTD.